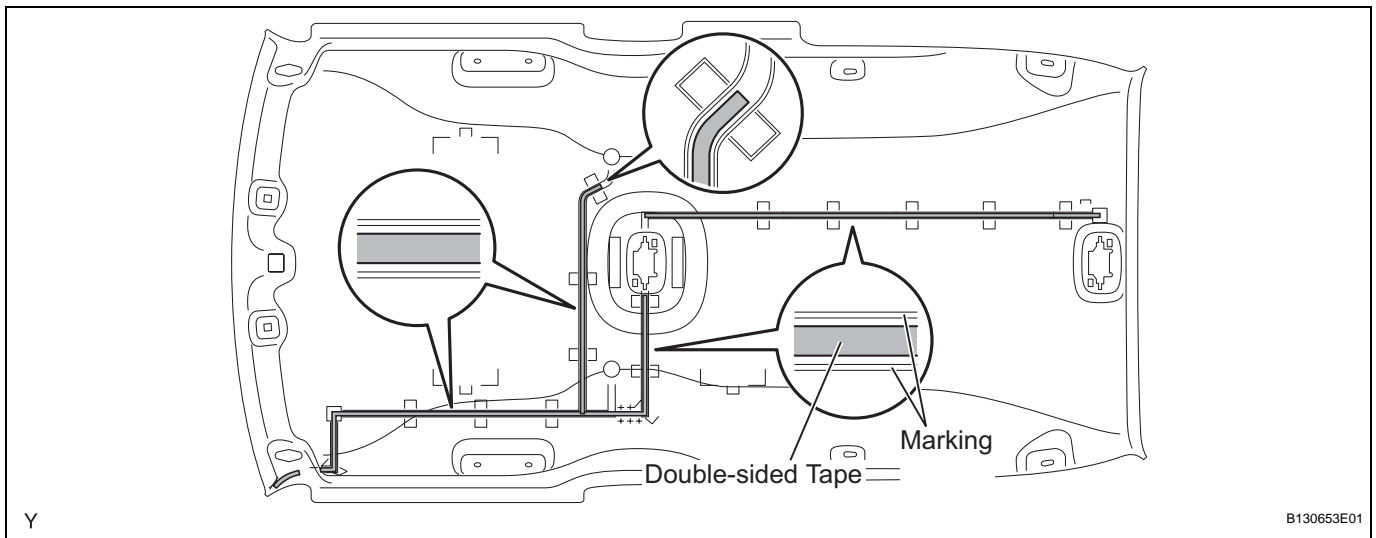


REASSEMBLY

1. INSTALL ROOF WIRE

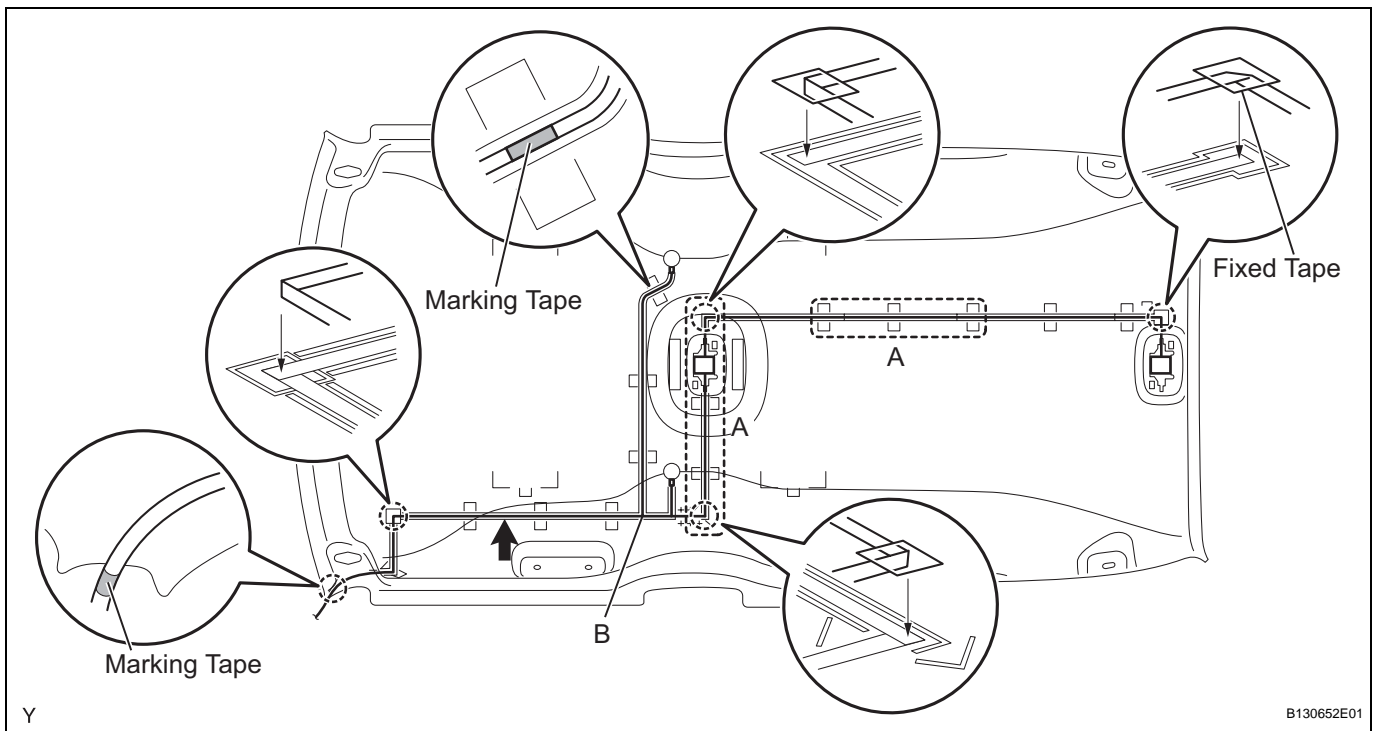
- (a) Apply new double-sided tape to the roof headlining along the markings of the roof headlining.



NOTICE:

- Apply the tape securely in place.
- Do not touch the adhesive surface when applying the tape to prevent adhesion failure.

- (b) Install the roof wire as shown in the illustration.



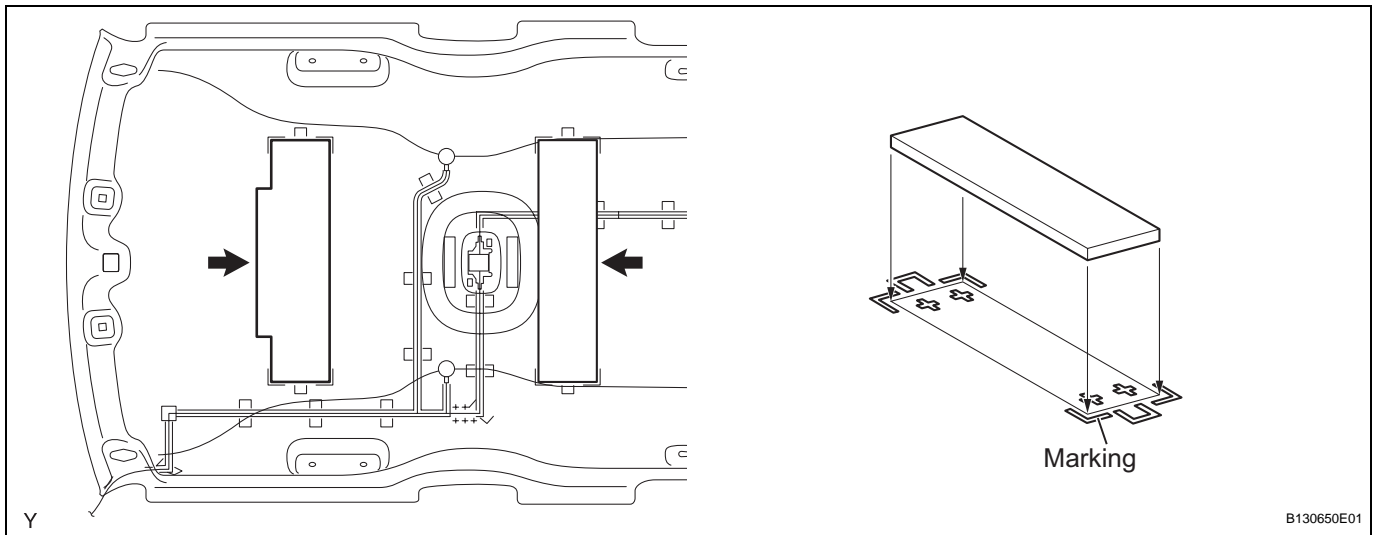
NOTICE:

- Do not twist the flat wire harness when installing it.
- Securely fix the wire harness by pressing it.

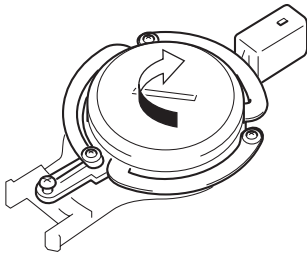
- Securely fix the wire harness to secure gap between the wire harness and the roof panel in part A.
- Securely fix the wire harness to avoid looseness in the wire harness between portion B and the marking tape.

2. INSTALL ROOF SILENCER PAD

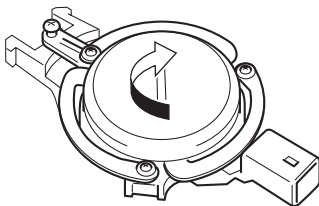
- (a) Align 2 new roof silencer pads with the markings of the roof headlining and install them onto the roof headlining.



for RH Side:



for LH Side:

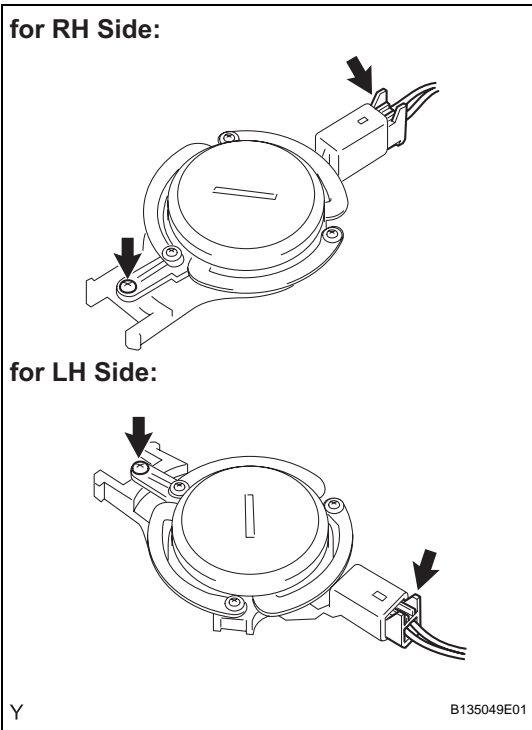


3. INSTALL ROOF SPEAKER ASSEMBLY

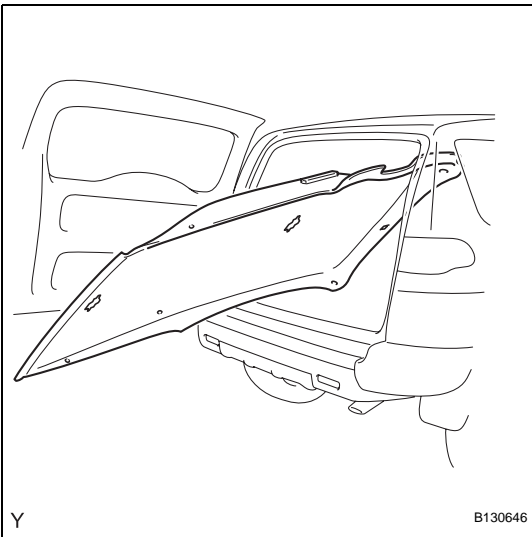
HINT:

Use the same procedure for both sides.

- (a) Install the roof speaker by turning it in the direction of the arrow shown in the illustration.

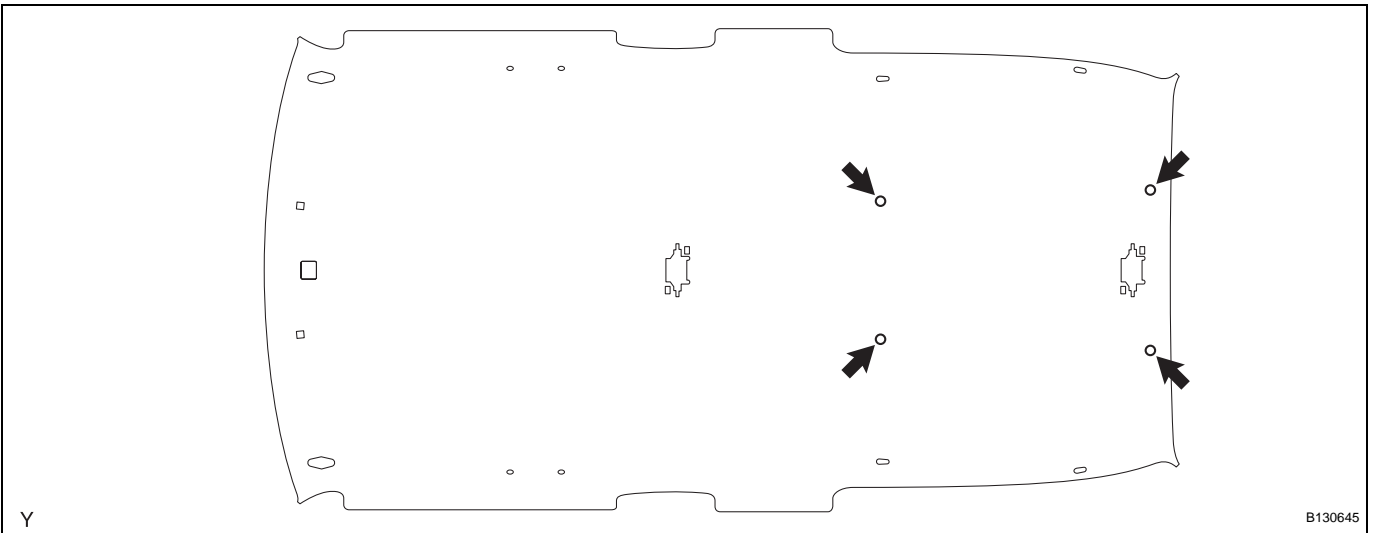


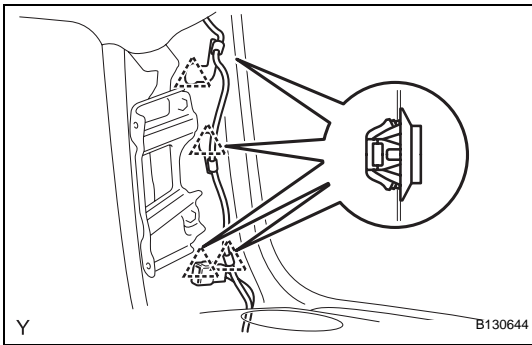
- (b) Tighten the screw.
- (c) Connect the speaker connector.



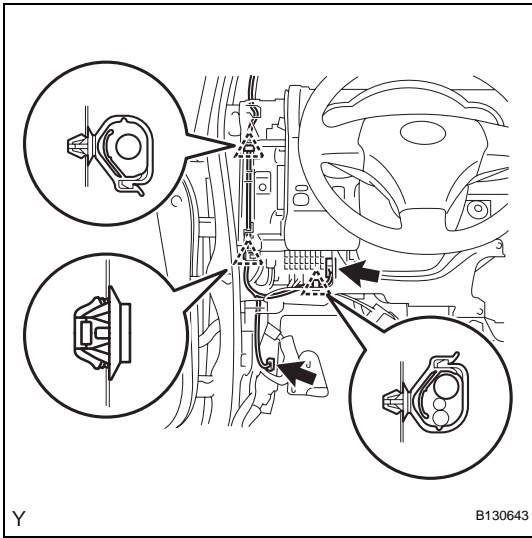
INSTALLATION

1. **INSTALL ROOF HEADLINING**
 - (a) Pull the roof headlining back into the vehicle through the back door.
 - (b) Install the 4 clips.





(c) Install the 3 clamps and the connector.

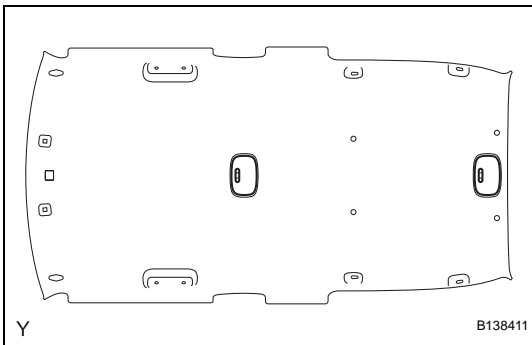


(d) Install the clamp.
 (e) Connect the 2 connectors.
 (f) Insert the wire harness into the 2 clamps.

2. INSTALL INSTRUMENT PANEL FINISH LOWER PANEL SUB-ASSEMBLY (See page IP-29)

3. INSTALL HOOD LOCK CONTROL LEVER SUB-ASSEMBLY (See page IP-30)

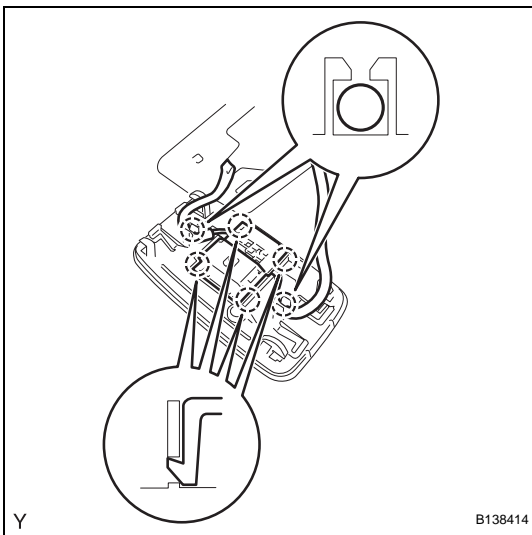
4. INSTALL INSTRUMENT PANEL REGISTER ASSEMBLY (See page IP-30)



5. INSTALL ROOM LIGHT ASSEMBLY

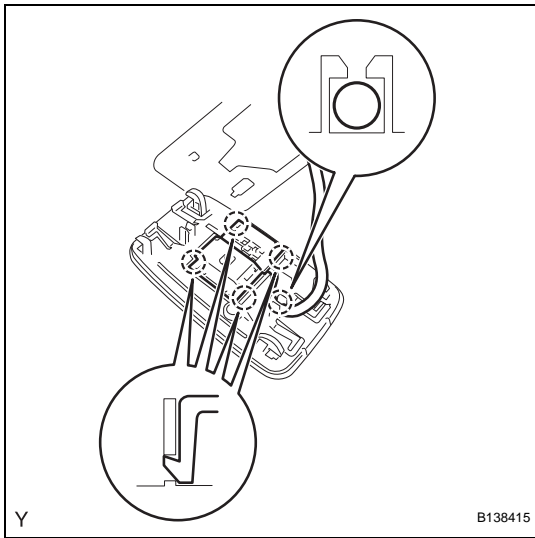
HINT:

The procedure described below is for the front side. Use the same procedure for both the front and rear sides, unless otherwise specified.

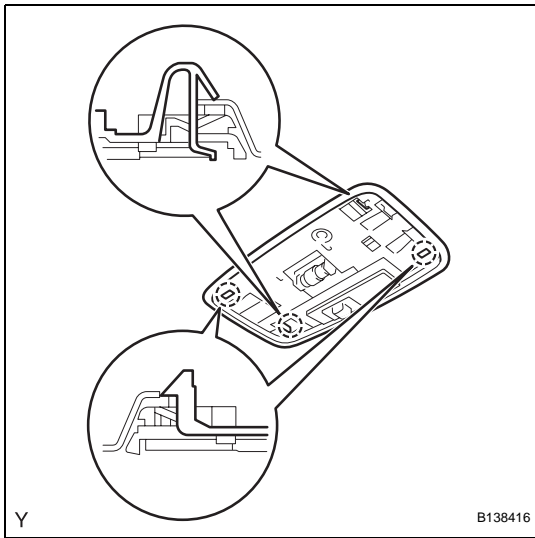


(a) for Front Side:

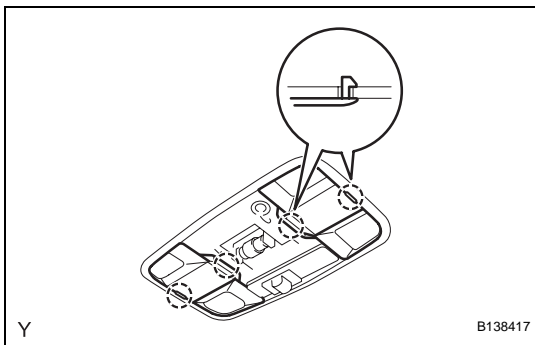
- (1) Engage the 4 claws and install the room light switch base.
- (2) Insert the 2 wire harnesses into the 2 claws of the room light.



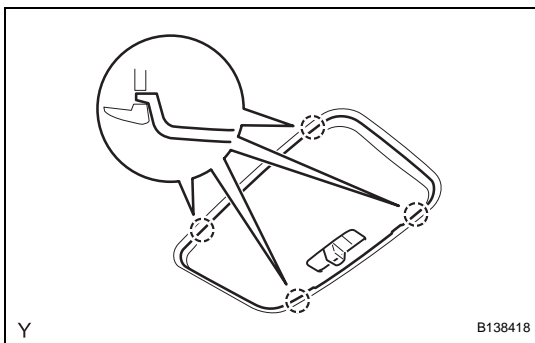
- (b) for Rear Side:
- (1) Engage the 4 claws and install the room light switch base.
 - (2) Insert the wire harness into the claw of the room light.



- (c) Engage the 4 claws and install the room light.

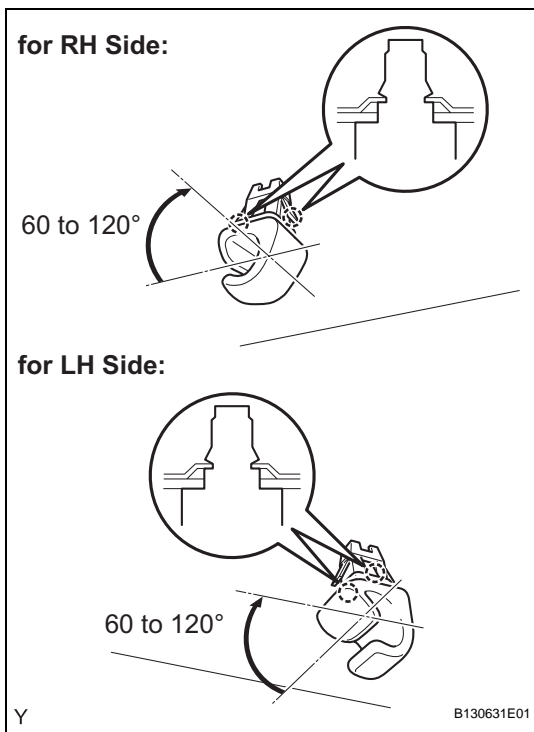


- (d) Engage the 4 claws and install the 2 covers.



- (e) Engage the 4 claws and install the room light lens.

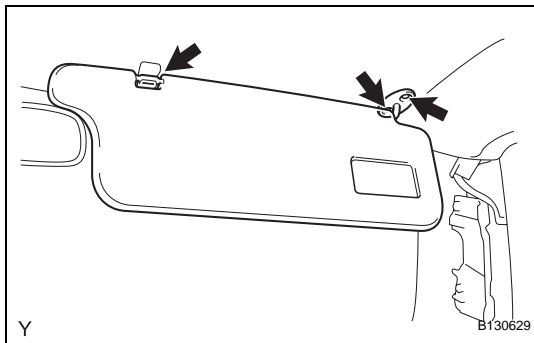
6. **INSTALL INNER REAR VIEW MIRROR ASSEMBLY**
(See page [MI-6](#))
7. **INSTALL INNER REAR VIEW MIRROR STAY HOLDER COVER**
(See page [MI-6](#))

**8. INSTALL VISOR HOLDER**

HINT:

Use the same procedure for both sides.

- (a) Engage the 2 claws by turning the visor holder clockwise between 60 to 120° and install the visor holder.

**9. INSTALL VISOR ASSEMBLY RH**

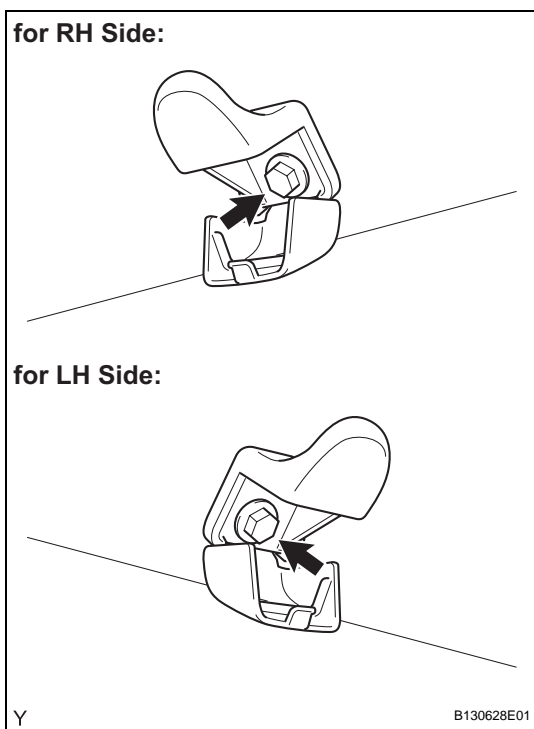
- (a) Install the visor with the 2 screws.

- (b) Install the visor support shaft into the visor holder.

10. INSTALL VISOR ASSEMBLY LH

HINT:

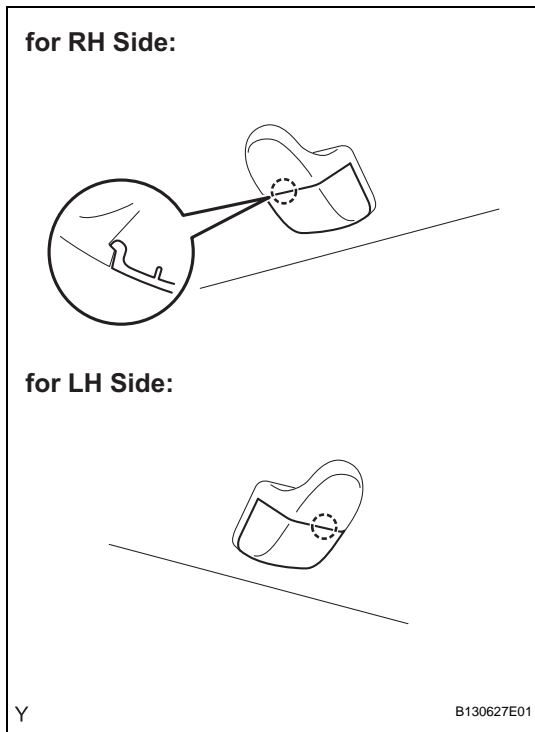
Use the same procedure as for the RH side.

**11. INSTALL COAT HOOK**

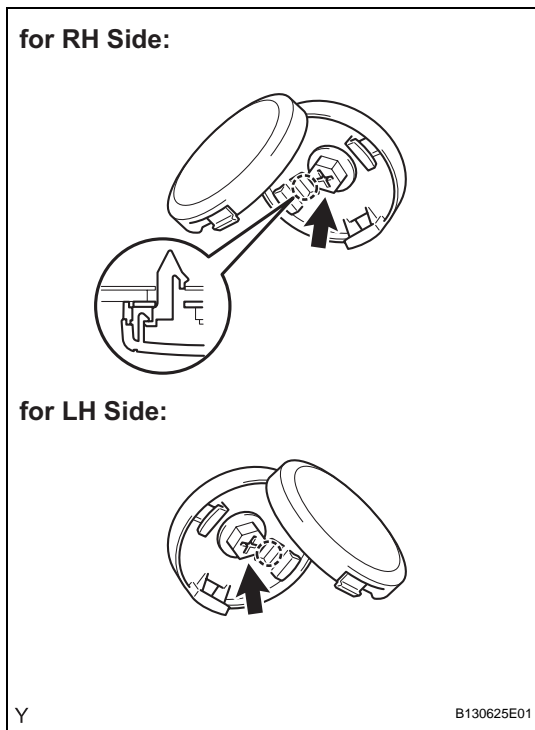
HINT:

Use the same procedure for both sides.

- (a) Install the coat hook with the bolt.



(b) Engage the claw and close the cover.

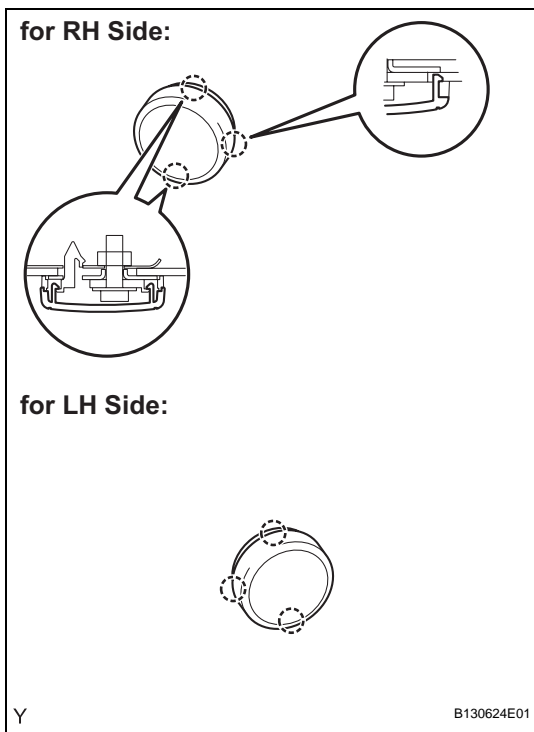


12. INSTALL ROOF HEADLINING HOLE PLUG

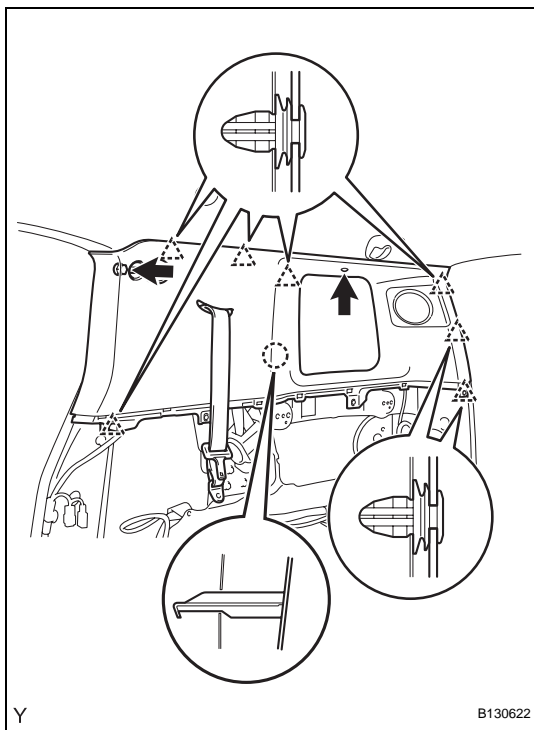
HINT:

Use the same procedure for both sides.

- (a) Engage the claw and install the roof headlining hole plug.
- (b) Tighten the bolt.



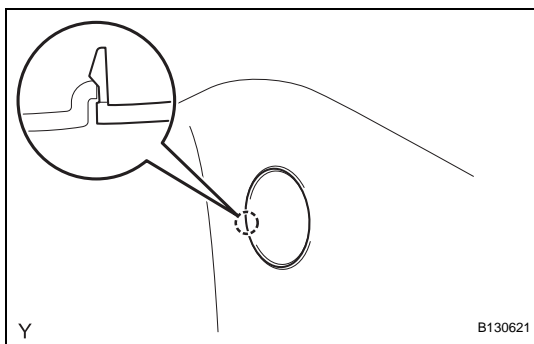
(c) Engage the 3 claws and close the cover.



13. INSTALL ROOF SIDE INNER GARNISH RH

- (a) Pass the rear seat outer belt through the slit in the roof side inner garnish.
- (b) Engage the 7 clips and the claw and install the roof side inner garnish.
- (c) Tighten the bolt.
- (d) Install the clip.

(e) Engage the claw and close the cover.

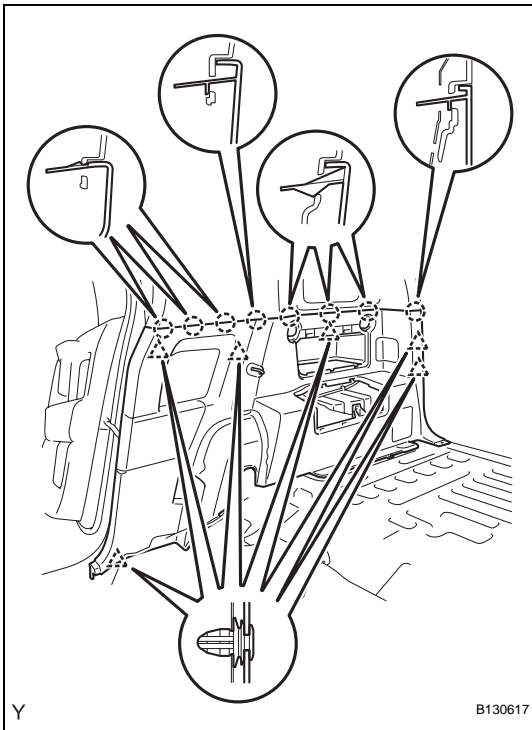


14. INSTALL ROOF SIDE INNER GARNISH LH

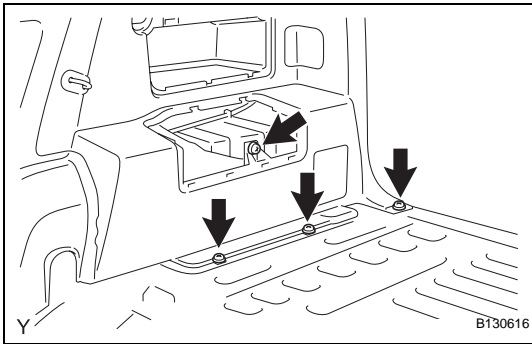
HINT:
Use the same procedure as for the RH side.

15. INSTALL DECK TRIM SIDE PANEL ASSEMBLY RH

- (a) Engage the 6 clips and the 8 claws and install the deck trim side panel.

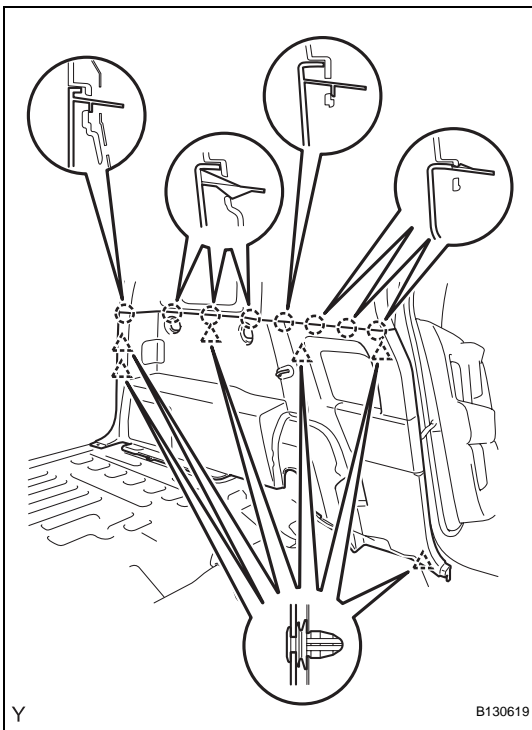


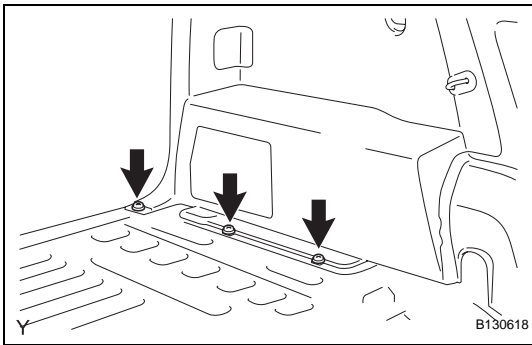
- (b) Tighten the 4 screws.



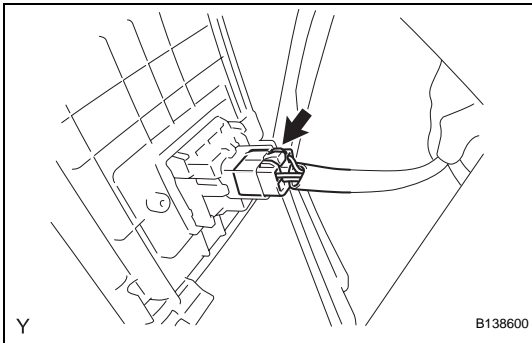
16. INSTALL DECK TRIM SIDE PANEL ASSEMBLY LH

- (a) Engage the 6 clips and the 8 claws and install the deck trim side panel.



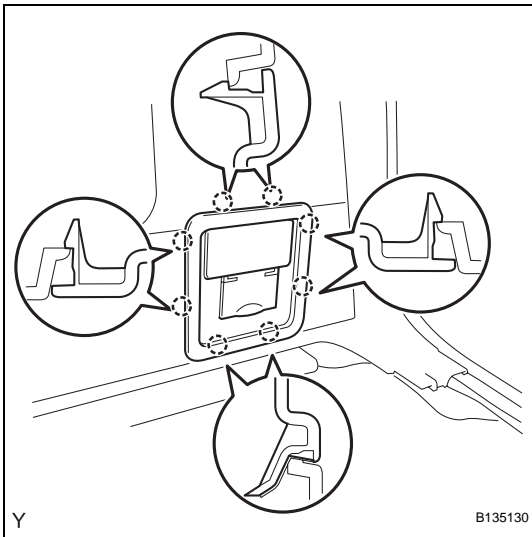


(b) Tighten the 3 screws.

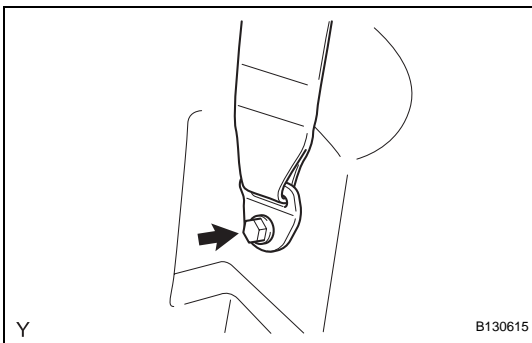


17. INSTALL REAR DECK TRIM COVER (w/ Power Outlet Socket)

(a) Connect the power outlet connector.



(b) Engage the 8 claws and install the rear deck trim cover.



18. INSTALL REAR SEAT OUTER BELT ASSEMBLY RH

(a) Install the anchor plate with the bolt.

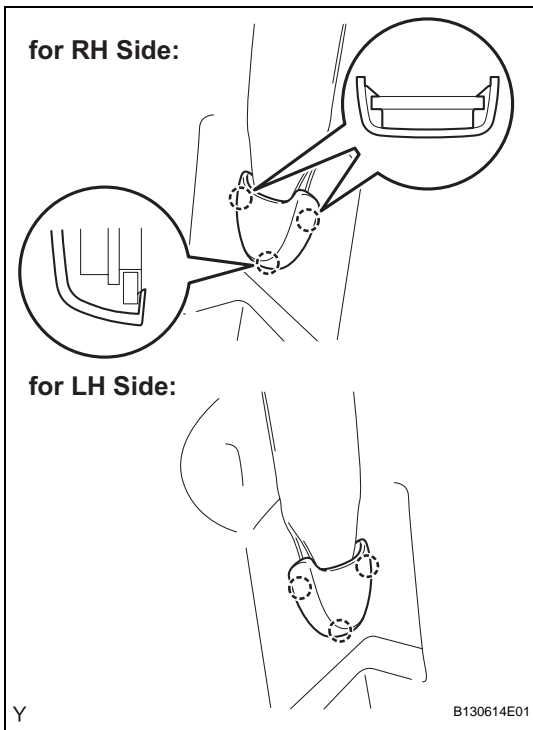
Torque: 42 N*m (430 kgf*cm, 31 ft.*lbf)

(b) Make sure that the anchor plate rotates smoothly.

19. INSTALL REAR SEAT OUTER BELT ASSEMBLY LH

HINT:

Use the same procedure as for the RH side.



20. INSTALL LAP BELT OUTER ANCHOR COVER

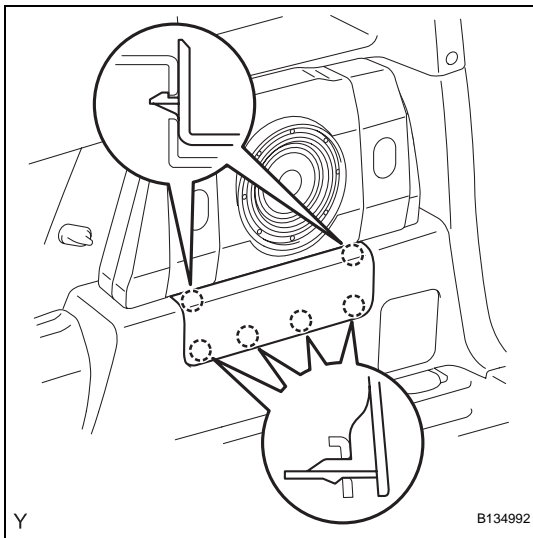
HINT:

Use the same procedure for both sides.

- (a) Engage the 3 claws and install the lap belt outer anchor cover.

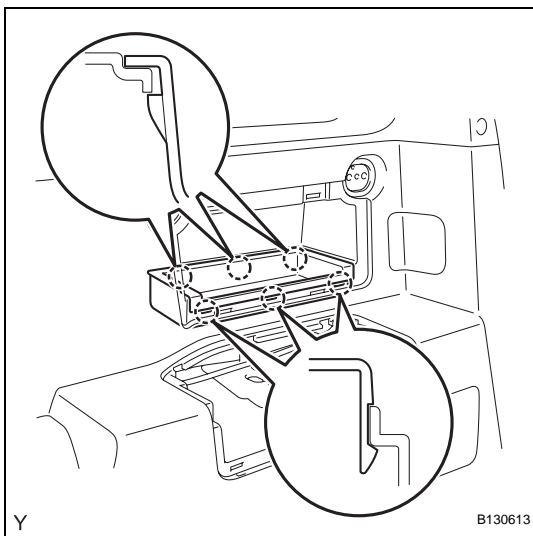
21. INSTALL AMPLIFIER BOX SPEAKER ASSEMBLY (w/ Woofer) (See page AV-90)

22. INSTALL SPEAKER MOUNTING COVER (w/ Woofer) (See page AV-91)



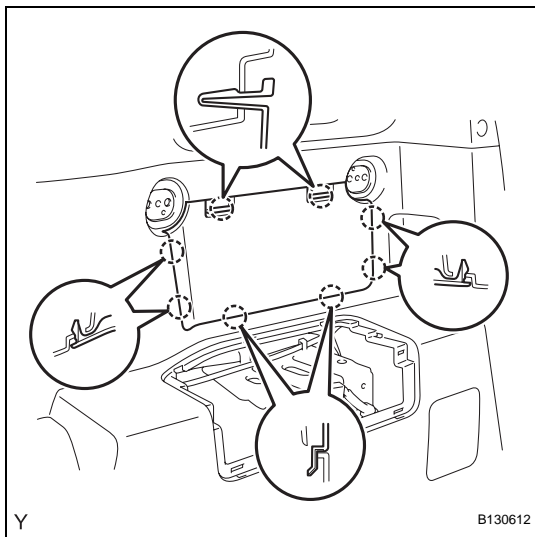
23. INSTALL DECK SIDE GARNISH (w/ Woofer)

- (a) Engage the 6 claws and install the deck side garnish.



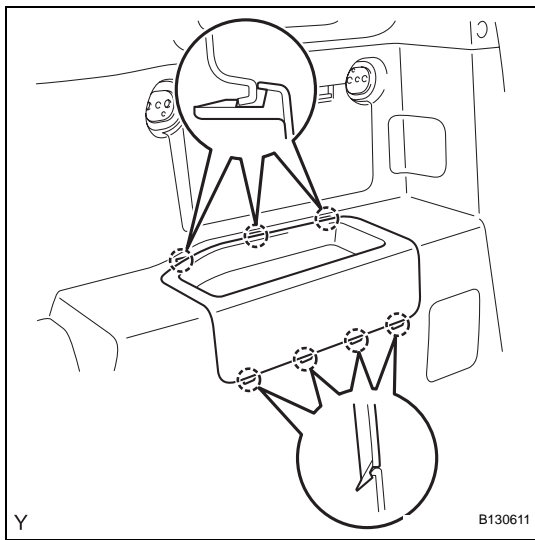
24. INSTALL QUARTER TRIM POCKET (w/o Woofer)

- (a) Engage the 6 claws and install the quarter trim pocket.



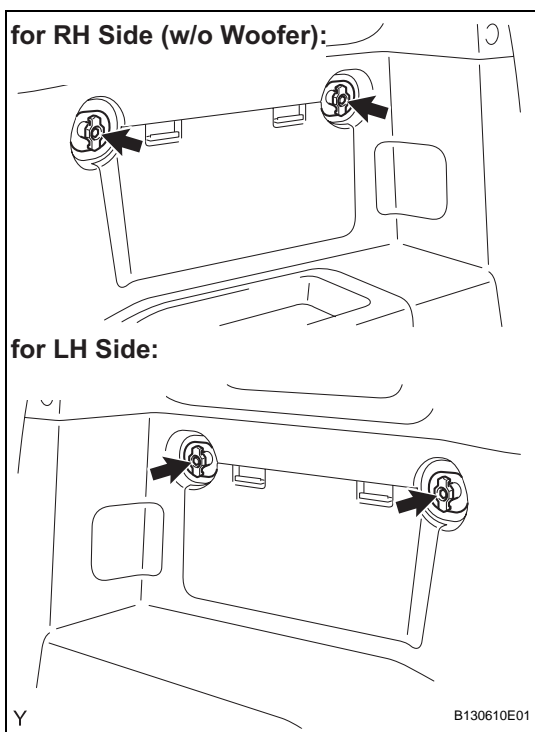
25. INSTALL SIDE TRIM COVER (w/o Woofer)

(a) Engage the 8 claws and install the side trim cover.



26. INSTALL QUARTER TRIM POCKET TRAY (w/o Woofer)

(a) Engage the 7 claws and install the quarter trim pocket tray.

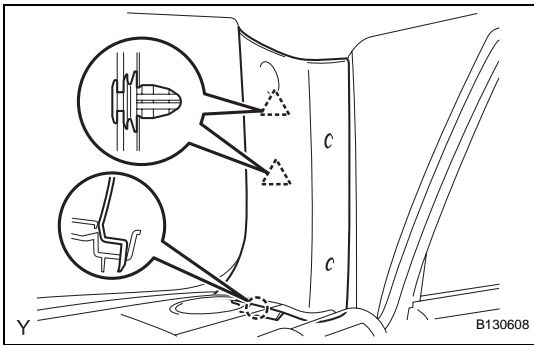


27. INSTALL PACKAGE HOLDER NET HOOK

HINT:

Use the same procedure to install all the package holder net hooks.

(a) Install the package holder net hook with the screw.



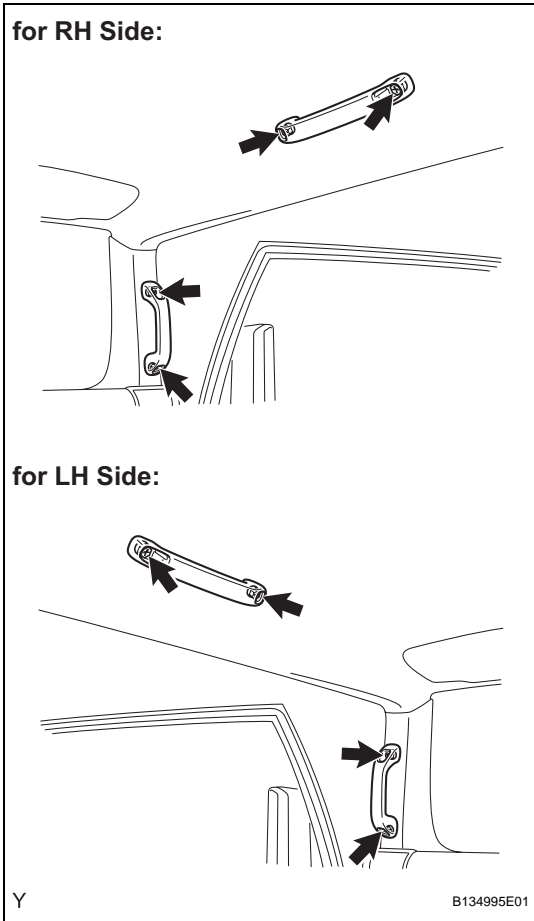
28. INSTALL FRONT PILLAR GARNISH RH

- (a) Engage the claw and the 2 clips and install the front pillar garnish.

29. INSTALL FRONT PILLAR GARNISH LH

HINT:

Use the same procedure as for the RH side.

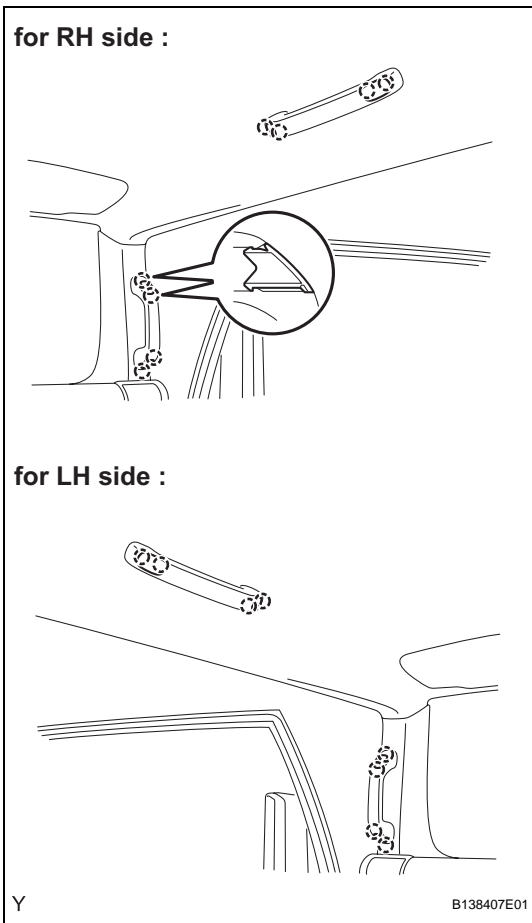


30. INSTALL ASSIST GRIP ASSEMBLY

HINT:

Use the same procedure to install all the assist grips.

- (a) Install the assist grip with the 2 bolts.

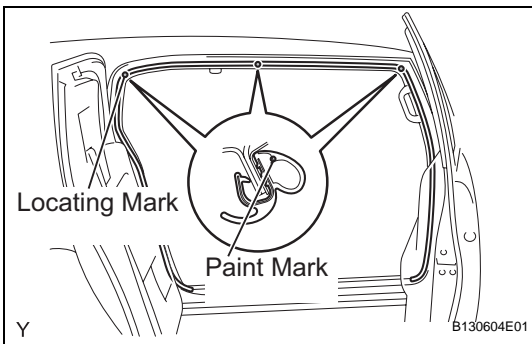


31. INSTALL ASSIST GRIP PLUG

HINT:

Use the same procedure to install all the assist grip plugs.

- (a) Engage the 2 claws and install the assist grip plug.



32. INSTALL FRONT DOOR OPENING TRIM WEATHERSTRIP RH

- (a) Align the locating marks with the paint marks first, and install the front door opening trim weatherstrip, as shown in the illustration.

Paint mark

Area	Color
RH side	White
LH side	Red

33. INSTALL FRONT DOOR OPENING TRIM WEATHERSTRIP LH

HINT:

Use the same procedure as for the RH side.

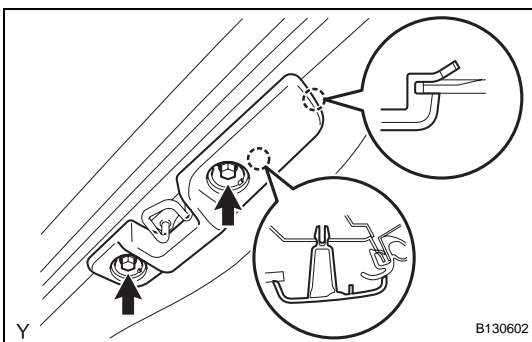
34. INSTALL ROOF SIDE RAIL GARNISH RH

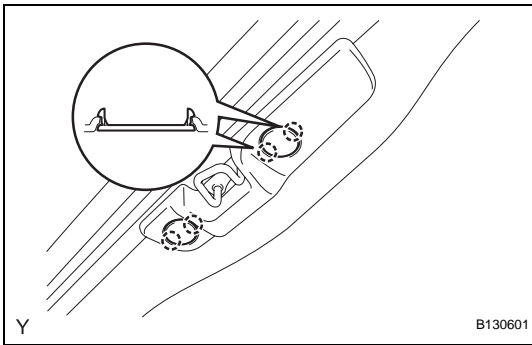
- (a) Engage the 2 claws and install the roof side rail garnish.
- (b) Tighten the 2 bolts.

35. INSTALL ROOF SIDE RAIL GARNISH LH

HINT:

Use the same procedure as for the RH side.





36. INSTALL ROOF SIDE INNER GARNISH COVER RH

HINT:

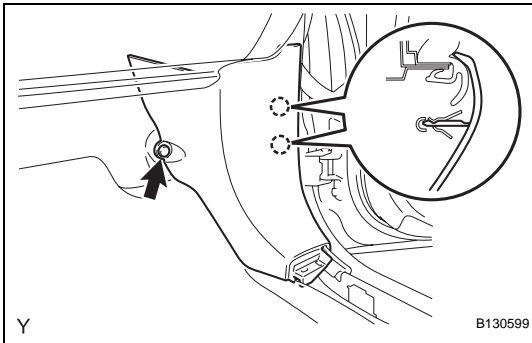
Use the same procedure for both sides.

- (a) Engage the 2 claws and install the roof side inner garnish cover.

37. INSTALL ROOF SIDE INNER GARNISH COVER LH

HINT:

Use the same procedure as for the RH side.



38. INSTALL COWL SIDE TRIM BOARD RH

- (a) Engage the 2 claws and install the cowl side trim board.
- (b) Install the clip.

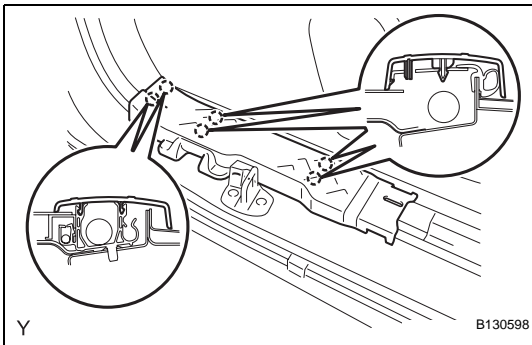
39. INSTALL COWL SIDE TRIM BOARD LH

HINT:

Use the same procedure as for the RH side.

40. INSTALL FOOTREST CLIP (See page IR-2)

41. INSTALL FRONT FLOOR FOOTREST (See page IR-2)



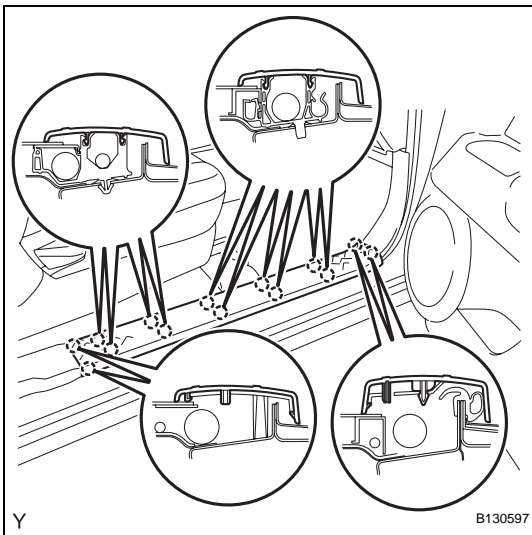
42. INSTALL ACCESS DOOR SCUFF PLATE RH

- (a) Engage the 6 claws and install the access door scuff plate.

43. INSTALL ACCESS DOOR SCUFF PLATE LH

HINT:

Use the same procedure as for the RH side.



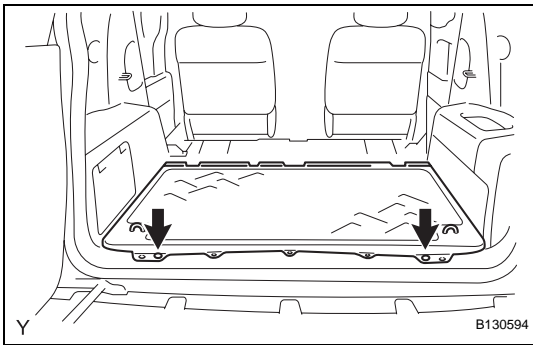
44. INSTALL FRONT DOOR SCUFF PLATE RH

- (a) Engage the 14 claws and install the door scuff plate.

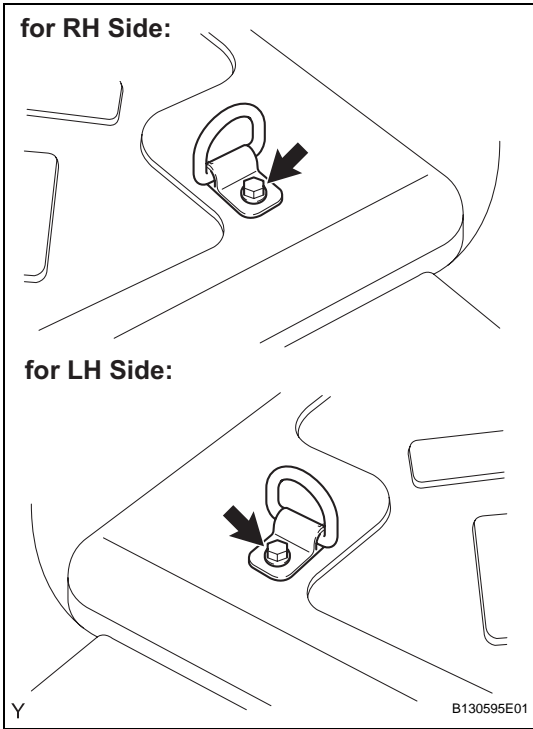
45. INSTALL FRONT DOOR SCUFF PLATE LH

HINT:

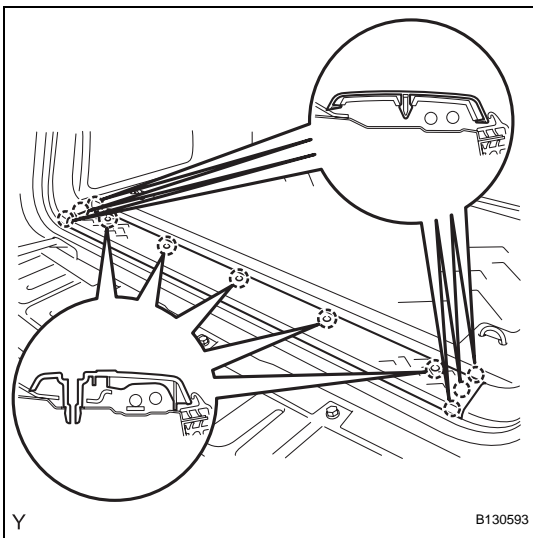
Use the same procedure as for the RH side.



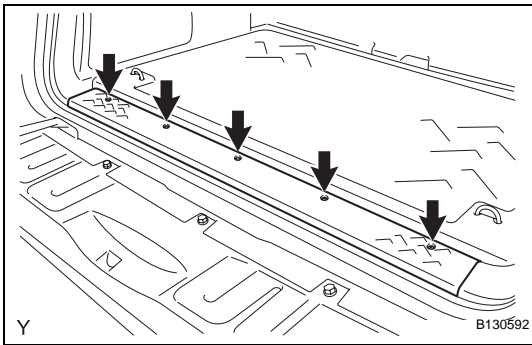
- 46. INSTALL REAR FLOOR MAT ASSEMBLY**
 (a) Install the rear floor mat with the 2 clips.



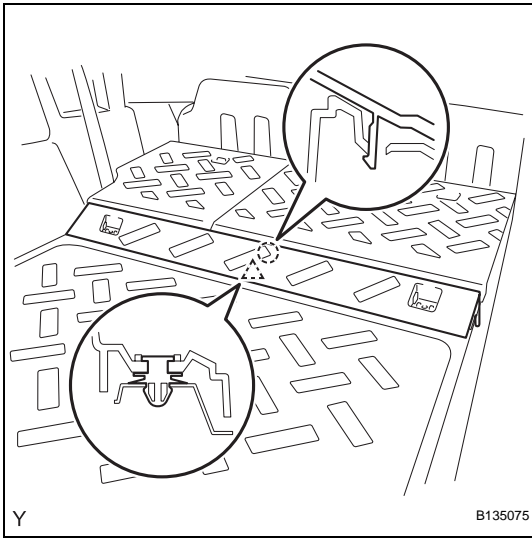
- 47. INSTALL LUGGAGE HOLD BELT STRIKER ASSEMBLY**
HINT:
 Use the same procedure for both sides.
 (a) Install the luggage hold belt striker with the bolt.



- 48. INSTALL REAR FLOOR MAT SUPPORT PLATE**
 (a) Engage the 11 claws and install the rear floor mat support plate.

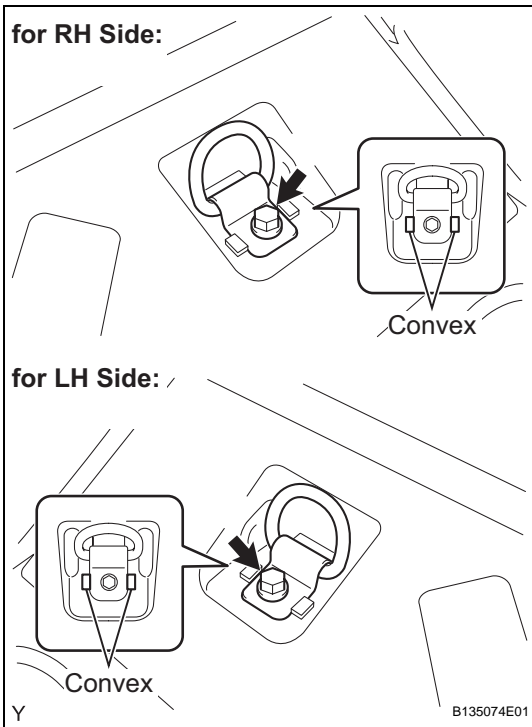


(b) Tighten the 5 screws.



49. INSTALL REAR FLOOR BOARD

(a) Engage the clip and claw and install the rear floor board.



(b) Install the luggage hold belt striker with the bolt.
HINT:
Use the same procedure for both sides.

50. INSTALL REAR SEATBACK ASSEMBLY RH (See page SE-54)

51. INSTALL REAR SEATBACK BOARD CARPET ASSEMBLY RH (See page SE-54)

52. INSTALL REAR SEATBACK ASSEMBLY LH (See page SE-38)

53. INSTALL REAR SEATBACK BOARD CARPET ASSEMBLY LH (See page SE-38)

54. CONNECT CABLE TO NEGATIVE BATTERY TERMINAL
Torque: 3.9 N*m (40 kgf*cm, 35 in.*lbf)